

Surge Protection Device Model # TPD-AmpPro

AmpPro Series

IOM: Installation Operation & Maintenance Manual

WARRANTY STATEMENT

During the applicable warranty period, any Transient Protection Design™ device which fails due to defect in materials, workmanship, or any transient event, including lightning, shall be repaired or replaced at TPD's discretion without charge. In the event of a return the device must be shipped FOB TPD place of business within the applicable warranty period. The applicable warranty period for the TPD surge protective device is outlined below in the Warranty Period section. The warranty period for any repaired devices or replacement devices will be only the remaining portions of the original limited warranty.

A Return Material Authorization (RMA) number must be obtained from the Company's Customer Service department before returning any Products.

The Company shall have no liability under this warranty for problems or defects directly or indirectly caused by misuse of the Product, alteration of the Product (including removal of any warning labels), accidents, improper installation, application, operation or improper repair of the Product.

THIS WARRANTY REPRESENTS THE ENTIRE WARRANTY OF THE COMPANY. ALL OTHER WARRANTIES EXPRESS OR IMPLIED, ORAL OR WRITTEN, INCLUDING, BUT NOT LIMITED TO, THE WARRANTIES OF MERCHANT ABILITY AND FITNESS FOR A PARTICULAR PURPOSE ARE HEREBY DISCLAIMED.

The liability of the Company, at its sole option, under this warranty is expressly limited to the replacement or repair of the defective part thereof. IN NO EVENT SHALL THE COMPANY BE LIABLE OR RESPONSIBLE FOR SPECIAL, INCIDENTAL, OR CONSEQUENTIAL DAMAGES OF ANY KIND OR CHARACTER, NOR SHALL ITS LIABILITY EVER EXCEED THE PURCHASE PRICE PAID TO COMPANY FOR SUCH DEFECTIVE PRODUCT.

This warranty is not transferable and may only be enforced by the original end user. Claims under this warranty must be submitted to Transient Protections Design within thirty (30) days of discovery of any suspected product defect.

| Model# | Warranty Period |
|-----------------|--|
| TPD-AmpPro-250 | Three Years Unlimited Free Replacement |
| TPD-AmpPro-1000 | Three Years Unlimited Free Replacement |

SAVE THESE INSTRUCTIONS

Note: If devices are received damaged, notify the shipping company immediately. Retain containers and packing materials for inspection.



Picture of (4) TPD-AmpPro

NOTE 1: AC breaker panel protection is recommended when using data protection. Data protection diverts or dumps excess energy from data lines into the power grounding system. By strategically protecting branch breaker panels with the TPX, surge events will once again be equalized and safely contained at the breaker panel.

CAUTION—IMPORTANT SAFETY INFORMATION

- Never install surge suppression during a lightning storm.
- This product is for INDOOR USE ONLY. INSTALL IN WEATHERPROOF ENCLOSURE FOR OUTDOOR USE.
- The below suppressors are intended for use as protectors for low voltage signal, data and communication lines.
- Read and understand all instructions prior to installation and operation.

Model # TPD-AmpPro
Protect Amplifiers 2 or 4 wires, 2/4/6/8 ohm & 70 volt distributed audio systems up to 100 volt max; 250 & 1000 Watt Max RMS/Channel Options

INSTALLATION

1. Unit is In/Out Sensitive. Check unit for label for proper installation.
2. Connect the Line Side of the TPD-AmpPro to two(2) or four(4) wires amplifier.
3. Connect the Load Side of the TPD-AmpPro to your outdoor speakers.
4. To protect amplifier end of speaker cable install unit in front of amplifier and ground to power source feeding amplifier. Install with minimum 12" leads between unit and amplifier.
5. To protect speaker end place Load Side of surge protector in front of speaker so that Line Side of protector is on the side going to the amplifier.

GROUNDING

6. Connect an AWG # 14 ground wire from the unit's ground stud and secure it to the nearest available system ground. The unit's ground lug must be connected to the ground AC reference used by the system being protected. In some environments, this ground point may be the ground bar in the AC power panel or low voltage equipment electrical ground.

GROUNDING PERFORMANCE NOTE

7. Ground leads should be as short and as straight as possible. The shorter the ground wire the lower the impedance. Minimize ground wire lead length to the cm/inch. It is always best to test grounds to verify their existence before relying on them to protect equipment.

NO INDEPENDENT GROUNDS *****

8. Surge devices must not be connected to ground points that are independent of AC ground. For outdoor speaker locations the TPD-AmpPro does not have to be grounded in order to provide protection, but should be grounded for optimum performance when possible. For new installs or high lightning exposure areas we recommend for an additional ground wire to be run from the originating AC system feeding the Amplifier to the TPD-AmpPro located at the speaker.

Surge Protection Device

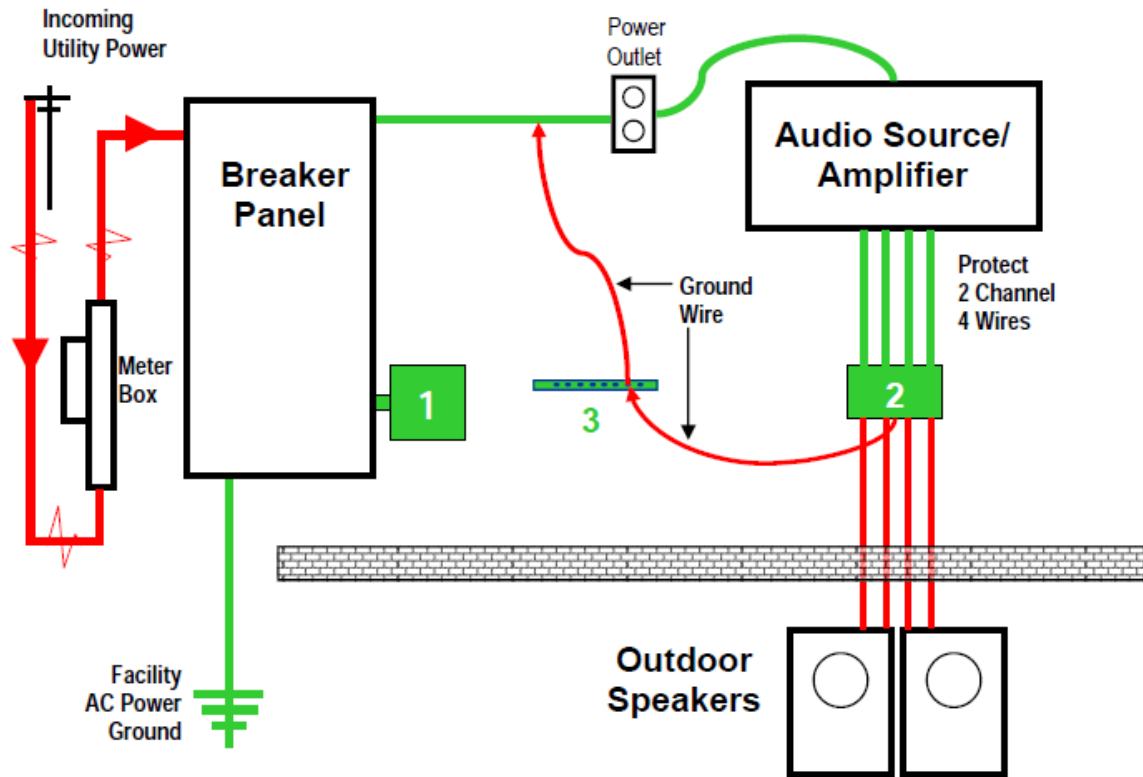
Model # TPD-AmpPro

IOM: Installation Operation & Maintenance Manual

AmpPro Series

INSTALLATION CONTINUED

NOTE 2: The protected device/equipment should also have AC protection because it is still vulnerable to transients on or from the power lines. Omitting AC protection poses a continued threat of failure and lockup at the communication interface.



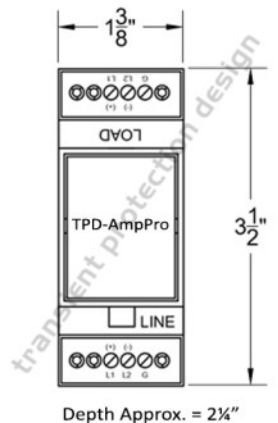
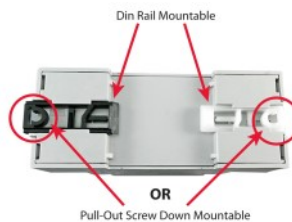
Transient Protection Design

- #1 TPX-1S240-F
- #2 TPD-AmpPro
- #3 TPD-GRD

MOUNTING INFORMATION & ENCLOSURE DIMENSIONS



Sample picture of four TPD-AmpPro which protects 8 channels/outdoor speaker leads to amplifier.



Transient Protection Design,
4311 William Penn Highway, Mifflintown, PA 17059
Call Technical Support at 717-436-2856 or visit us at
www.TransientProtectionDesign.com

© 2020 Transient Protection Design. All Rights Reserved. This document is the property of Transient Protection Design.

