

MAIN HOUSE

TRANSIENT PROTECTION DESIGN
Lutron Overview

GUEST HOUSE

FOR CONSTRUCTION



4311 William Penn Hwy
Mifflintown, PA 17059
888-281-7856
717-436-2869
www.tpd surge.com

Call for Design Information or Technical Help
1.888.281.7856



CLIENT RESIDENCE
CITY STATE

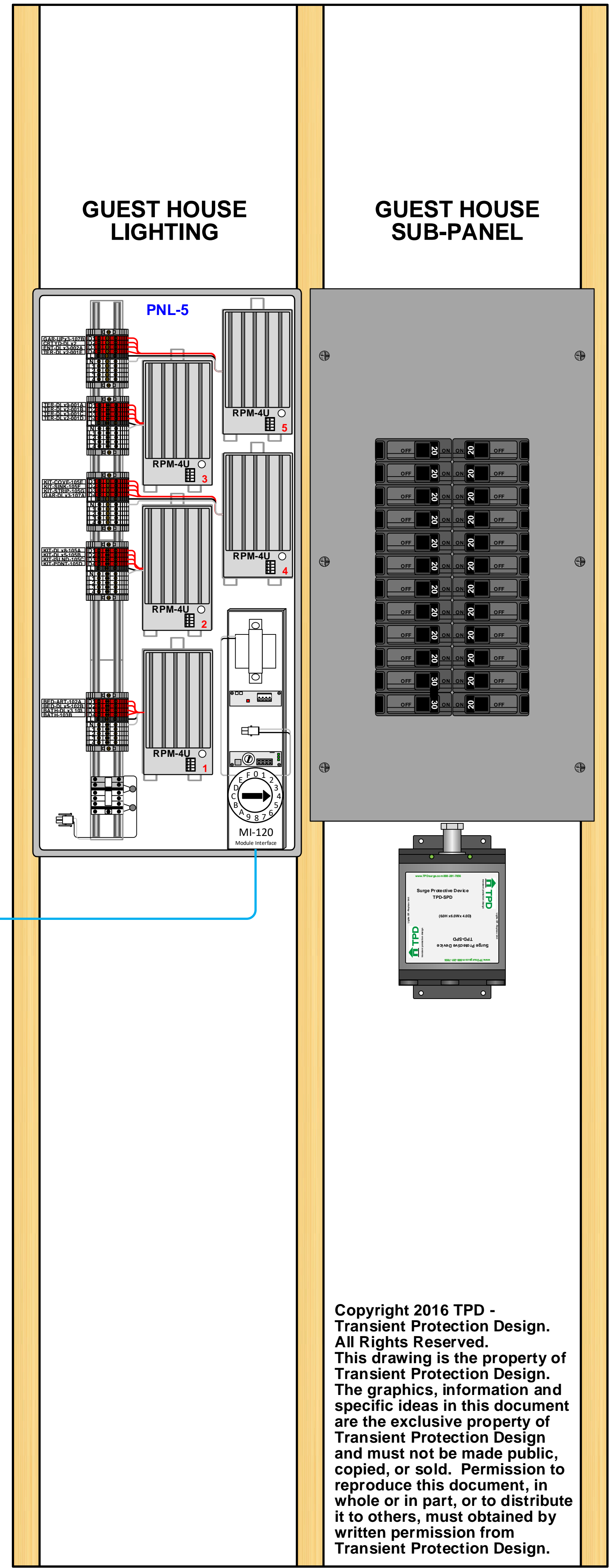
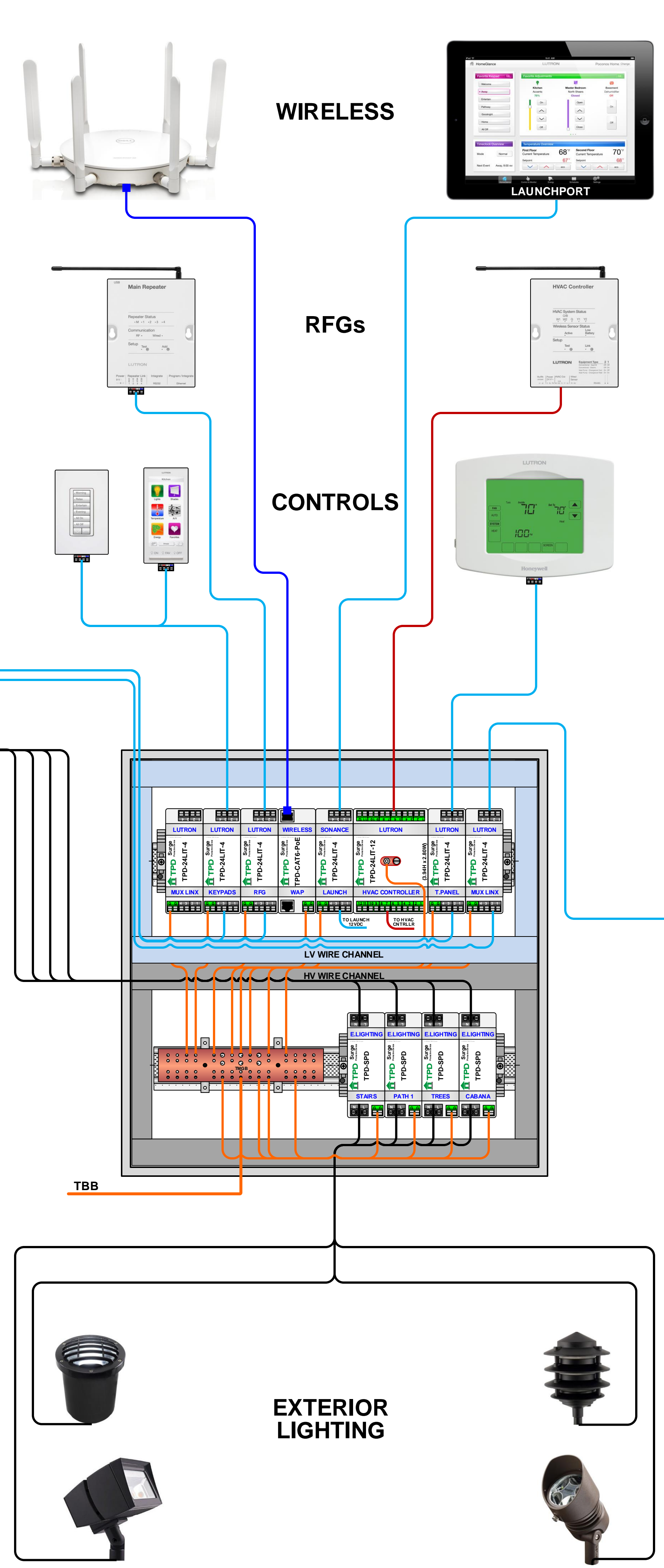
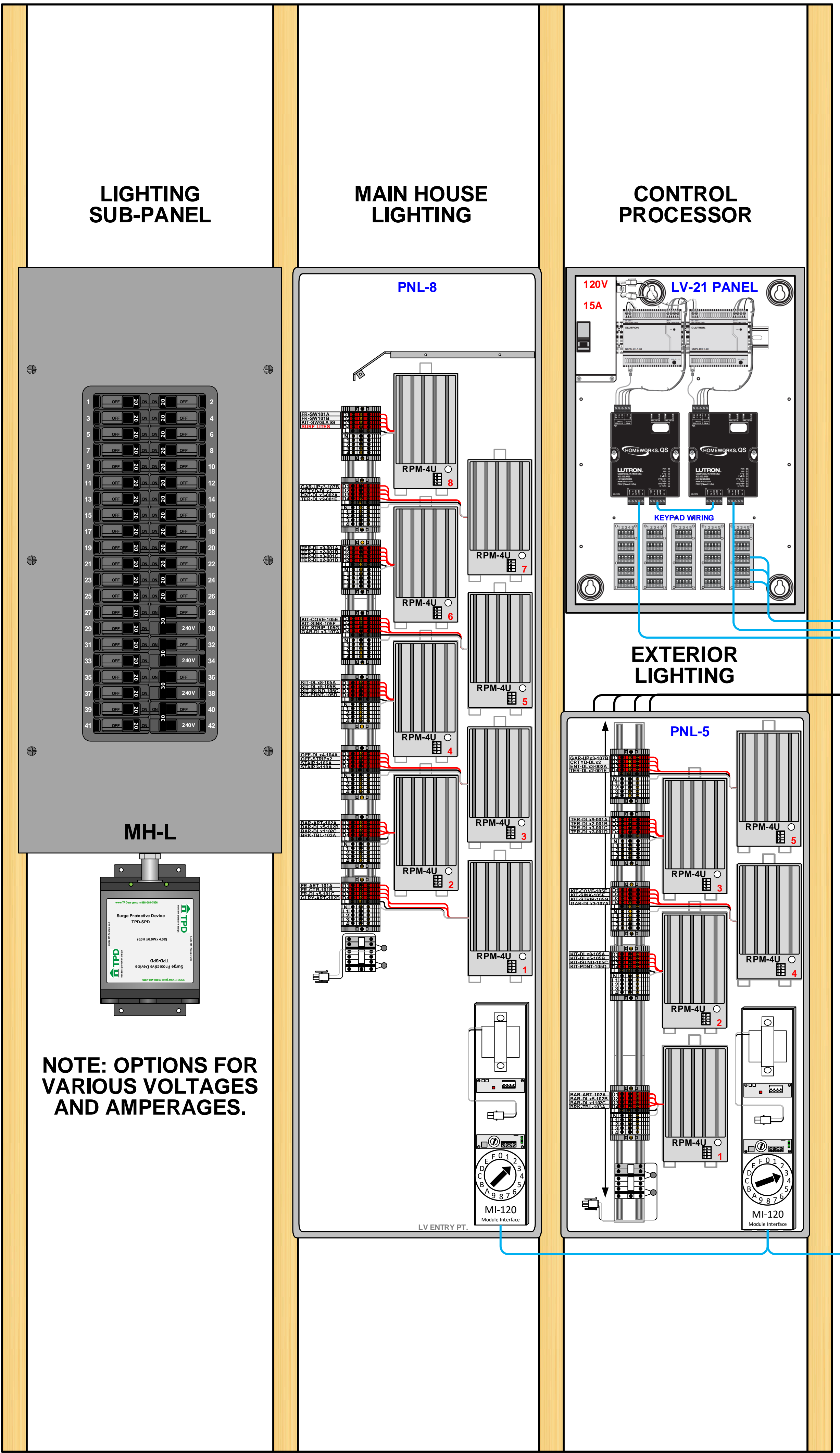
SMART HOME TECHNOLOGY DESIGN
4K DIGITAL MEDIA
HOME THEATER
COMMUNICATIONS
ENTERPRISE LAN
SECURITY / CCTV
HVAC CONTROL
SHADE CONTROL
LIGHTING CONTROL
POWER ISOLATION
POWER MONITORING

LUTRON SURGE PROTECTION OVERVIEW

Copyright 2016 TPD - Transient Protection Design. All Rights Reserved. This drawing is the property of Transient Protection Design. The graphics, information and specific ideas in this document are the exclusive property of Transient Protection Design and must not be made public, copied, or sold. Permission to reproduce this document, in whole or in part, or to distribute it to others, must be obtained by written permission from Transient Protection Design.

SCALE: .25 in = 1.0 ft.
DATE: 08.16.2016

X-1.10



NOTE: OPTIONS FOR VARIOUS VOLTAGES AND AMPERAGES.

EXTERIOR LIGHTING

Copyright 2016 TPD - Transient Protection Design. All Rights Reserved. This drawing is the property of Transient Protection Design. The graphics, information and specific ideas in this document are the exclusive property of Transient Protection Design and must not be made public, copied, or sold. Permission to reproduce this document, in whole or in part, or to distribute it to others, must be obtained by written permission from Transient Protection Design.

SCALE: .25 in = 1.0 ft.
DATE: 08.16.2016

X-1.10