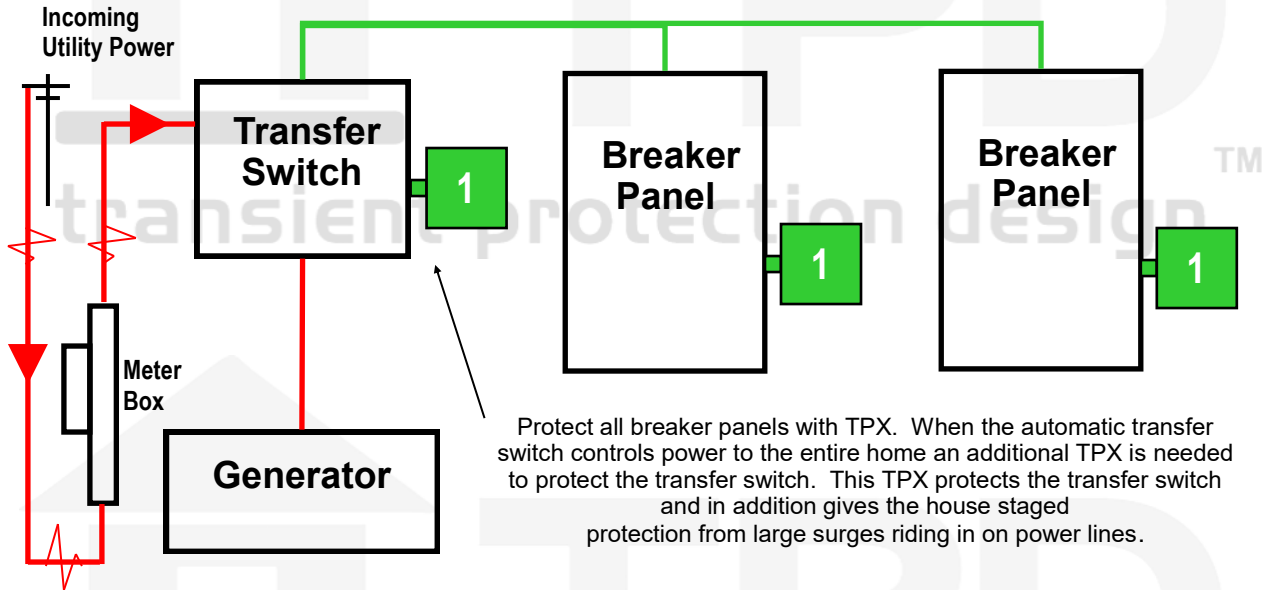


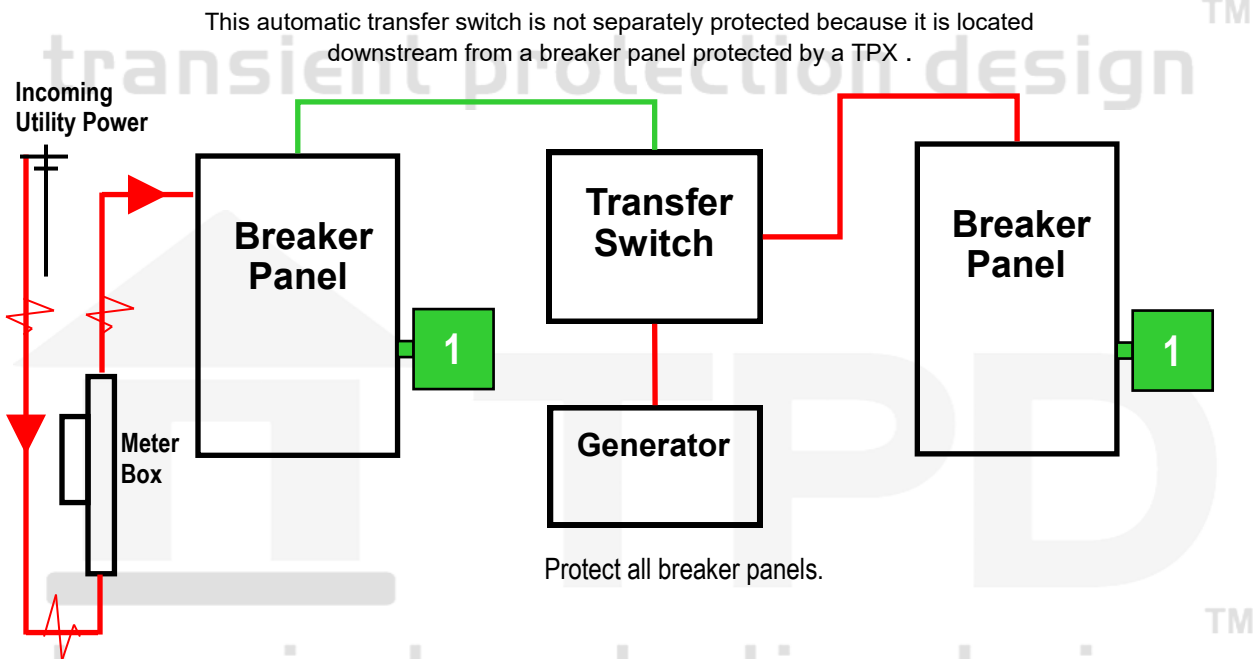
Transient Protection Design

#1 TPX-1S240-F

TPD Design # 1 - Transfer switch that feeds the entire house.



TPD Design # 2 - Transfer switch that powers one or more panels but not the entire house.



Need additional assistance?
 Call Technical Support
 1-888-281-7856
info@TPDSurge.com
www.TransientProtectionDesign.com

* Depending on size, voltage and exposure level designers should refer to their product lists for a complete list of product options. If you do not have this list please email tim@tpdsurge.com for more information. Drawings are not to scale and should only be used as a visual representation. Installation instructions should be followed for optimal performance and adequate grounding.

© 2017 Transient Protection Design. All Rights Reserved. This drawing is the property of Transient Protection Design. The graphics, information and specific ideas in this document are the exclusive property of Transient Protection Design, and must not be made public, copied, or sold. Others seeking permission to reproduce this document, in whole or in part must obtain permission from Transient Protection Design in writing.