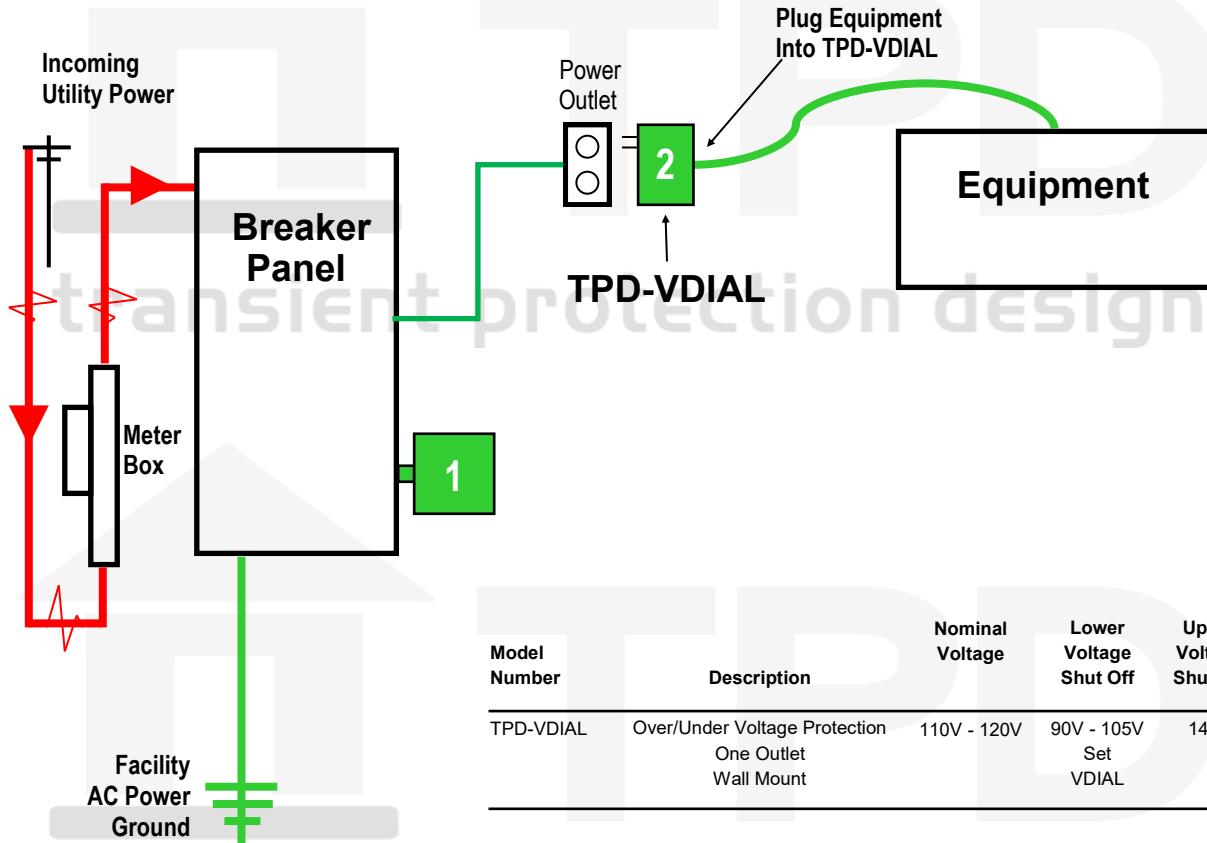


# Over Under Voltage Shutoff w/ Time Delay

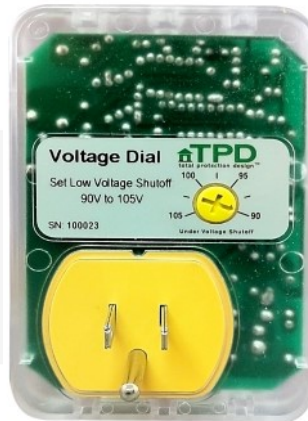


Model Number	Description	Nominal Voltage	Lower Voltage Shut Off	Upper Voltage Shut Off	Time Delay
TPD-VDIAL	Over/Under Voltage Protection One Outlet Wall Mount	110V - 120V	90V - 105V Set VDIAL	140V	3 to 5 Minutes

## Transient Protection Design

#1 TPX-1S240-F

#2 TPD-VDIAL



Need additional assistance?  
Call Technical Support  
1-888-281-7856  
[info@TPDsurge.com](mailto:info@TPDsurge.com)  
[www.TransientProtectionDesign.com](http://www.TransientProtectionDesign.com)

\* Depending on size, voltage and exposure level designers should refer to their product lists for a complete list of product options. If you do not have this list please email [tim@tpdsurge.com](mailto:tim@tpdsurge.com) for more information. Drawings are not to scale and should only be used as a visual representation. Installation instructions should be followed for optimal performance and adequate grounding.

© 2017 Transient Protection Design. All Rights Reserved. This drawing is the property of Transient Protection Design. The graphics, information and specific ideas in this document are the exclusive property of Transient Protection Design, and must not be made public, copied, or sold. Others seeking permission to reproduce this document, in whole or in part must obtain permission from Transient Protection Design in writing.