

## SAFETY APPROVALS

UL 1449 Fourth Edition Listed by ETL.

## INSTALLATION

Ultra compact, fail-safe design with component-level fusing. ANSI.IEEE C62.41 Location C, B & A. In=20kA (In=10kA on 380NN and 480NN models). **Type 1 SPD** can be installed line-side or load-side of main disconnect. Prewired with approx. 24" (457.2mm) of #14 AWG conductor. Install direct to the bus, disconnect, or on any size breaker (20 to 30 amp breaker recommended as a disconnect means).

## WARRANTY

15-Year Unlimited Free Replacement

## SHORT CIRCUIT CURRENT RATING

100kAIC on all units

## OPERATING TEMPERATURES

-35° C to 65° C (-30° F to 150° F); 5% to 95% non-condensing humidity

## POWER FREQUENCY RANGE

40-440Hz

## MAX SURGE CURRENT

50kA per phase

## RESPONSE TIME

< 1.0 nanosecond

## MONITORING

Status indicator & Phase Loss (Green LED)

## ENCLOSURE

Nema 1 Polycarbonate enclosure for indoor use only. Optional Nema 6 enclosure also available.

## PROTECTION MODES

All modes L-N, L-G, N-G & L-L

## DIMENSIONS (APPROX):

CN: 1.6"H x 2.9"W x 5.1"L  
CW: 1.6"H x 2.9"W x 5.1"L

## WEIGHT:

1.0 lb  
1.0 lb

## OPTIONS:

Specify suffix **"-CW"** for wire leads (no nipple) coming out the side of the unit.

**Note:** CN units have plastic nipple coming out of the end of the unit.

Add **"-N6"** suffix for Nema 4/Nema 6 enclosure.

Add **"-DIN"** suffix for Din Rail mounting

Add **"-F"** suffix for filtering on only the TPX-1P120-CN & TPX-1P120-CN

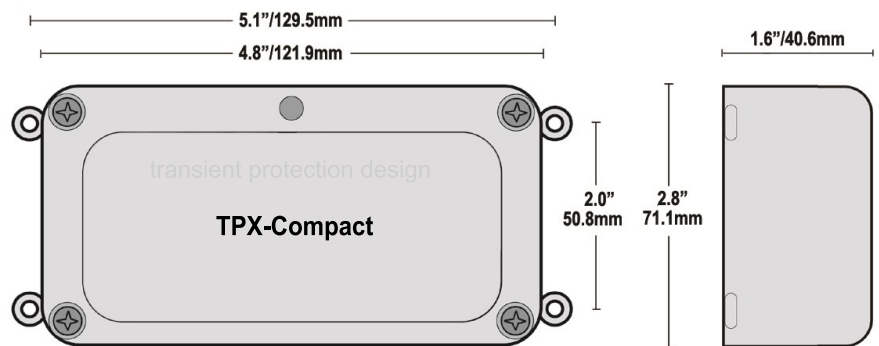
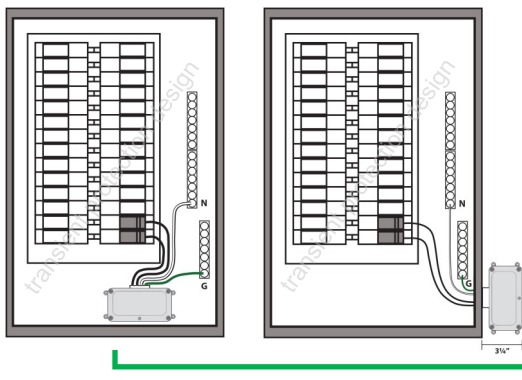
Model #	Voltage Description	MCOV	UL 4th Ed. VPR Ratings (6kV, 3kA)
TPX-1S240-CN	120/240VAC Single 3W+G	150 L-N	600V L-N
TPX-3Y208-CN	120/208VAC Wye 4W+G	150 L-N	600V L-N
TPX-3D240-CN	120/240VAC Delta High Leg 4W+G	150/320L-N	600/1000V L-N
TPX-3Y380-CN	220/380VAC Wye 4W+G	320 L-N	1000V L-N
TPX-3Y415-CN	240/415VAC Wye 4W+G	320 L-N	1000V L-N
TPX-3Y480-CN	277/480VAC Wye 4W+G	320 L-N	1000V L-N
TPX-240NN-CN	240 VAC Delta Three Phase 3W+G	320 L-G	1000V L-G
TPX-380NN-CN	380 VAC Delta Three Phase 3W+G	520 L-G	1800V L-G
TPX-480NN-CN	480 VAC Delta Three Phase 3W+G	520 L-G	1800V L-G
TPX-1P120-CN	120VAC 2W+G	150 L-N	600V L-N
TPX-1P240-CN	240VAC 2W+G (International)	150 L-N	600V L-N

ANSI/IEEE C62.41.1-2002, C62.41.2-2002, & C62.45-2002 Measured Limited Voltage

All units tested with six inch leads. Specification subject to change without notice. Contact TPD for additional voltages and models. For filtering units, see standard TPX and TPX-100 model.

## Sample single phase installation.

Install and clip lead wires as short and straight as overall possible for best installation. The shorter the wires the better the performance of the unit. The TPX comes with #10 awg wire and as a Type 1 SPD can be installed to any size breaker or direct to lugs. Breakers typically allow for the cleanest and shortest installation. This unit can be mounted at the top, bottom, right or left side of the a breaker panel.



Note: Check local electrical codes before installing SPD inside panel. Consider ordering TPX-RemoteLightKit for remote status indicator (fiber cable & lens plate) for inside panel installations.